

VRLA Rechargeable Battery

FTB125-12



FEATURES

- Absorbent Glass Mat technology for efficient gas recombination
- Thermally welded case-to-cover bond to ensure a leak-proof case
- Front accessible terminal for ease of assembly
- Carry handles for ease of installation
- Strengthened rib design to maintain structural integrity
- Flame-arrestor is installed to ensure safety
- Battery design allows for 48VDC configuration in a standard 23" rack
- One-way self-resealing safety valve for long life guarantee

APPLICATION

- Telecom
- UPS
- Broadband
- Electric Utility
- Railroad Signal
- Central Office



SPECIFICATIONS

Nominal Voltage	12 V
Nominal Capacity	125Ah @ 8 hour rate F.V.(1.75V/cell)
Approx. Weight	46.4Kg(102.3lbs.)
Terminals	L1 (M8 Male Stud)
Internal Resistance	≤ 2.9m Ω (Fully Charged)
Max. Discharge Current	800 A (5 sec.)
Max. Charge Current	31.3 A
Operating Temperature Range	Charge : 0°C~40°C(32°F~104°F) Discharge : -20°C~50°C(-4°F~122°F) Storage. : -20°C~40°C(-4°F~104°F)
Safety Valve	Opening pressure 10~35 kPa
Container Material	Standard: PP(UL 94-HB) FTB125-12 Optional: Flame Retardant PP(UL 94-V0) FTB125-12FR



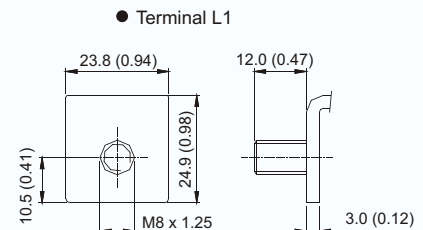
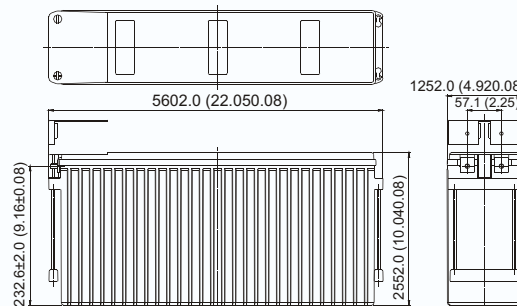
- IEC60896
- BS6290/4
- GB/T 19638
- Eurobat guide

DIMENSION(mm/inch)

OUTER DIMENSIONS

TERMINAL TYPE

- Length
560.0±2.0 (22.05±0.08)
- Width
125.0±2.0 (4.92±0.08)
- Container Height
255.0±2.0 (10.04±0.08)
- Total Height
255.0±2.0 (10.04±0.08)



Terminal Hardware Initial Torque: 10.0Nm ±5%

Constant power discharge characteristics at 25 °C/77 °F Unit: W

Discharge Time F.V. (V/cell)	15 Min	30 Min	45 Min	1 Hr	2 Hr	3 Hr	4 Hr	5 Hr	8 Hr	10 Hr	20 Hr
1.90V	2059	1405	1027	814.3	509.6	368.1	297.0	250.0	169.00	137.76	74.28
1.85V	2315	1546	1122	901.6	562.9	401.5	320.2	269.3	182.00	148.44	80.04
1.80V	2448	1643	1185	940.4	580.7	414.1	326.8	275.0	185.60	151.44	81.72
1.75V	2562	1704	1225	969.4	592.5	418.3	330.0	277.6	187.60	153.00	82.56
1.70V	2640	1742	1249	988.8	598.4	422.1	332.0	279.0	187.60	153.00	82.56
1.65V	2701	1768	1265	999.0	604.4	424.9	334.7	280.0	187.60	153.00	82.56
1.60V	2750	1785	1277	1005.0	606.8	426.4	335.7	280.8	188.01	153.27	82.64

Constant current discharge characteristics at 25 °C/77 °F Unit: A

Discharge Time F.V. (V/cell)	15 Min	30 Min	45 Min	1 Hr	2 Hr	3 Hr	4 Hr	5 Hr	8 Hr	10 Hr	20 Hr
1.90V	172.4	117.1	85.6	69.30	43.00	30.80	24.75	20.82	14.07	11.48	6.19
1.85V	195.8	130.1	94.1	76.73	47.50	33.60	26.68	22.44	15.16	12.37	6.67
1.80V	212.9	139.2	99.9	80.03	49.00	34.65	27.23	22.90	15.47	12.62	6.81
1.75V	222.8	144.4	103.2	82.50	50.00	35.00	27.50	23.13	15.63	12.75	6.88
1.70V	229.6	147.6	105.3	84.15	50.50	35.32	27.67	23.25	15.63	12.75	6.88
1.65V	234.9	149.8	106.7	85.02	51.00	35.56	27.89	23.34	15.63	12.75	6.88
1.60V	239.1	151.2	107.6	85.53	51.20	35.68	27.97	23.41	15.66	12.77	6.89

All data and artworks shall be changed without prior notice, BB reserves the right to explain and update the information contained hereinto.